

**MATERIALS:**

- STANTION BRASS 5/8" x 5/16"
- FLYWHEEL BRASS  $\phi$  19 or 20mm.
- CYLINDERS BRASS 1/2" square.
- CRANKSHAFT SILVER STEEL  $\phi$  4.0mm
- CRANKSHAFT BEARINGS PHOSPHOR BRONZE  $\phi$ 6.35mm
- CRANKPINS SILVER STEEL  $\phi$  3.0mm
- CONROD STAINLESS/STEEL  $\phi$ 2.0mm
- BIGEND PHOSPHOR BRONZE  $\phi$ 6.35mm
- BOTTOM CYLINDER COVER BRONZE  $\phi$  10.0mm
- PISTON PHOSPHOR BRONZE  $\phi$ 3/8"
- STEAM PIPE COPPER OD 1/8"
- RETAINING SPRING PIANO WIRE  $\phi$ 1.25

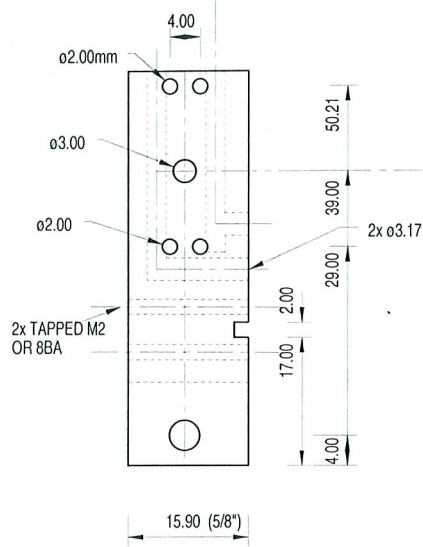
Preliminary

**KEN POVEY  
PRODUCTION  
ENGINEERS.**

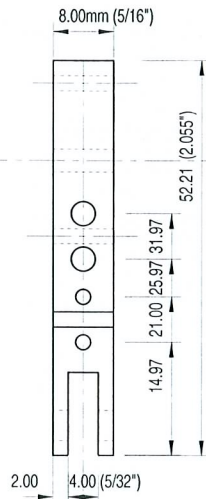
Tel. : 01769 560127  
Fax. : 01769 560016

Email: ken.povey@tiscali.co.uk

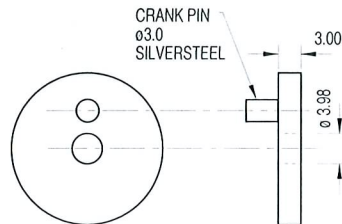
DRAWN. KEN POVEY 20 JULY 09	DIMS IN. m.m.	TOLERANCES.  NA  UNLESS OTHERWISE STATED.	MATERIAL.	TITLE. STEAM MOTOR SIMILAR to COLIN BINNEY'S	
	SCALE. 1:1			No. of SHEETS. 1 of 2	DRAWING No. SHEET No. ISSUE. SM0006A
	CHECKED.			CUSTOMER.	A 20 JUL 2009 ISSUE DATE



1 off STANTION  
BRASS 5/8 X 5/16"



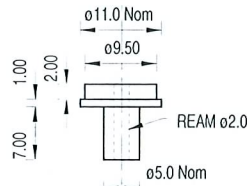
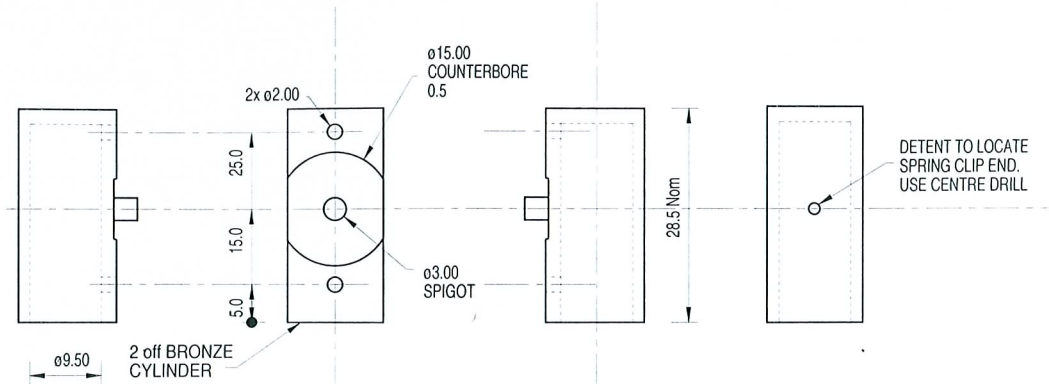
PINION GEAR  
20 TEETH  
BRASS



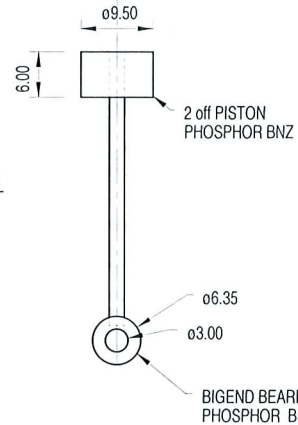
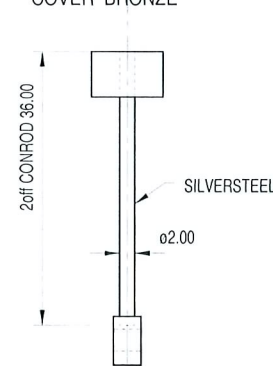
2 off FLYWHEEL BRASS  
PRESS FIT ON CRANKSHAFT



CRANKSHAFT  
SILVERSTEEL ø4.0



2 off  
BOTTOM CYLINDER  
COVER BRONZE



2 off PISTON  
PHOSPHOR BNZ

BIG END BEARING  
PHOSPHOR BRONZE

DETENT TO LOCATE  
SPRING CLIP END.  
USE CENTRE DRILL

**KEN POVEY  
PRODUCTION  
ENGINEERS.**

Tel. : 01769 560127  
Fax. : 01769 560016

Email: ken.povey@tiscali.co.uk

DRAWN. KEN POVEY 19 MAR 10	DIMS IN. m.m.	TOLERANCES. NA UNLESS OTHERWISE STATED.	MATERIAL.	TITLE. STEAM MOTOR SIMILAR to COLIN BINNEY'S	No. of SHEETS. 2 of 2	DRAWING No. SM0006A	SHEET No. ISSUE.	A 16 MAR 2010 ISSUE DATE
	SCALE. 1:1							

Preliminary